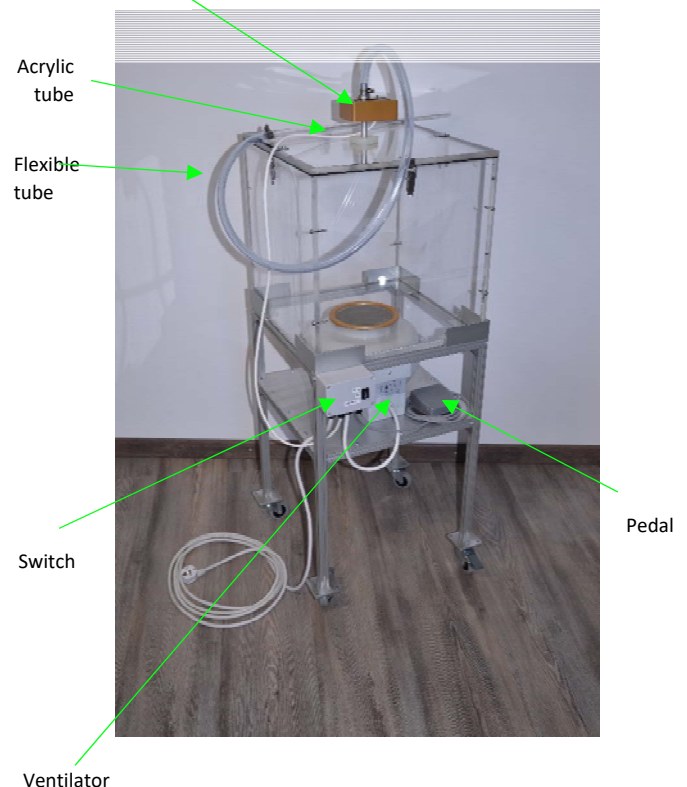
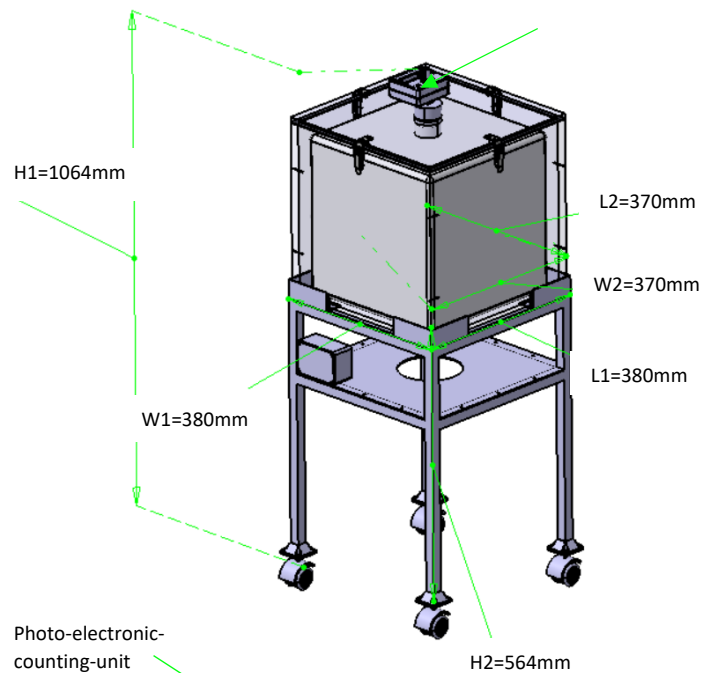


# VSI IR-735 Insect Collector with Counter

Vienna Scientific Instruments GmbH, Heiligenkreuzerstraße 466, 2534 Alland, AT  
 Email: [office@vienna-scientific.com](mailto:office@vienna-scientific.com), <https://www.vienna-scientific.com>

## Specifications

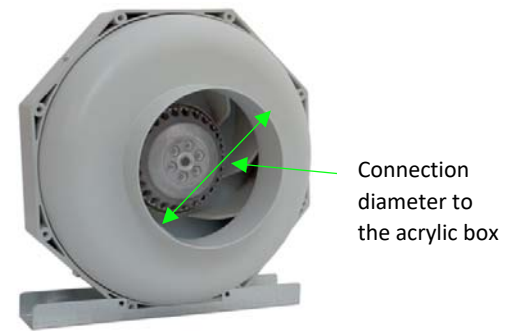
<b>Overall dimensions</b>	
Length	[L1] 380 mm
Width	[W1] 380 mm
Height	[H1] 1050 mm
<b>Acrylic box with removable lid [1]</b>	
Length	[L2] 370 mm
Width	[W2] 370 mm
Height	370 mm
<b>Supporting stand [2]</b>	
Length	380 mm
Width	380 mm
Height	[H2] 564 mm
<b>Photo-electronic-counting-unit [3]</b>	<p>Electronic system for counting the mosquitos with photo-resistors</p> <p>To see how many mosquitos are counted there is a LED-display on the top</p> <p>Max. Temp. 42-50°C</p>
<b>Flexible tube [4]</b>	<p>Inner diameter: 8mm</p> <p>Material: PVC</p> <p>The Mosquitos are aspirated through the flexible tube into the acrylic box</p>
<b>Acrylic tube [5]</b>	Connecting the counter to the acrylic box
<b>Switch [6]</b>	<p>To select one of three different modes:</p> <ul style="list-style-type: none"> <li>• Continuous</li> <li>• Off</li> <li>• Pedal (ON/OFF)</li> </ul> <p>With power plug.</p>
<b>Pedal [7]</b>	To turn the ventilator on/off when it is not in "continuous mode"
<b>Ventilator [8]</b>	see below for specs
<b>Wheels [9]</b>	4
<b>Operating voltage</b>	230V/50Hz (cable length 2m)
<b>Weight</b>	16 kg



# VSI IR-735 Insect Collector with Counter

## Ventilator

Airflow	350 m <sup>3</sup> /h
Connection (diameter)	125 mm
Power	60 Watt
Operating voltage	230V
Max Temperature	42-50°C
Weight	2.2 kg



## Example: Collapsible cage for insertion

Optional cage for collecting	e.g. BugDorm-4M3030 Insect Rearing Cage
<b>Outer Dimensions</b>	
Length	325 mm
Width	325 mm
Height	325 mm

## Part list

Part Number	Part
<b>IR-735</b>	<b>Complete system as shown</b>
IR-735.1	Acrylic box
IR-735.2	Supporting stand
IR-735.3	Photo-electronic-counting-unit
IR-735.4	Flexible tube
IR-735.5	Acrylic tube
IR-735.6	Switch
IR-735.7	Pedal
IR-735.8	Ventilator
IR-735.9	Wheels

Optional: Adapted system, fitting other cage dimensions.